

## Parts Manual

LZ5225 / 965879501

LZ5227 / 968999674

LZ6130 / 968999675

LZ7230 / 968999676

LZ6127 / 968999709

Please read the operator's manual carefully and make sure you understand the instructions before using the machine.



**English**



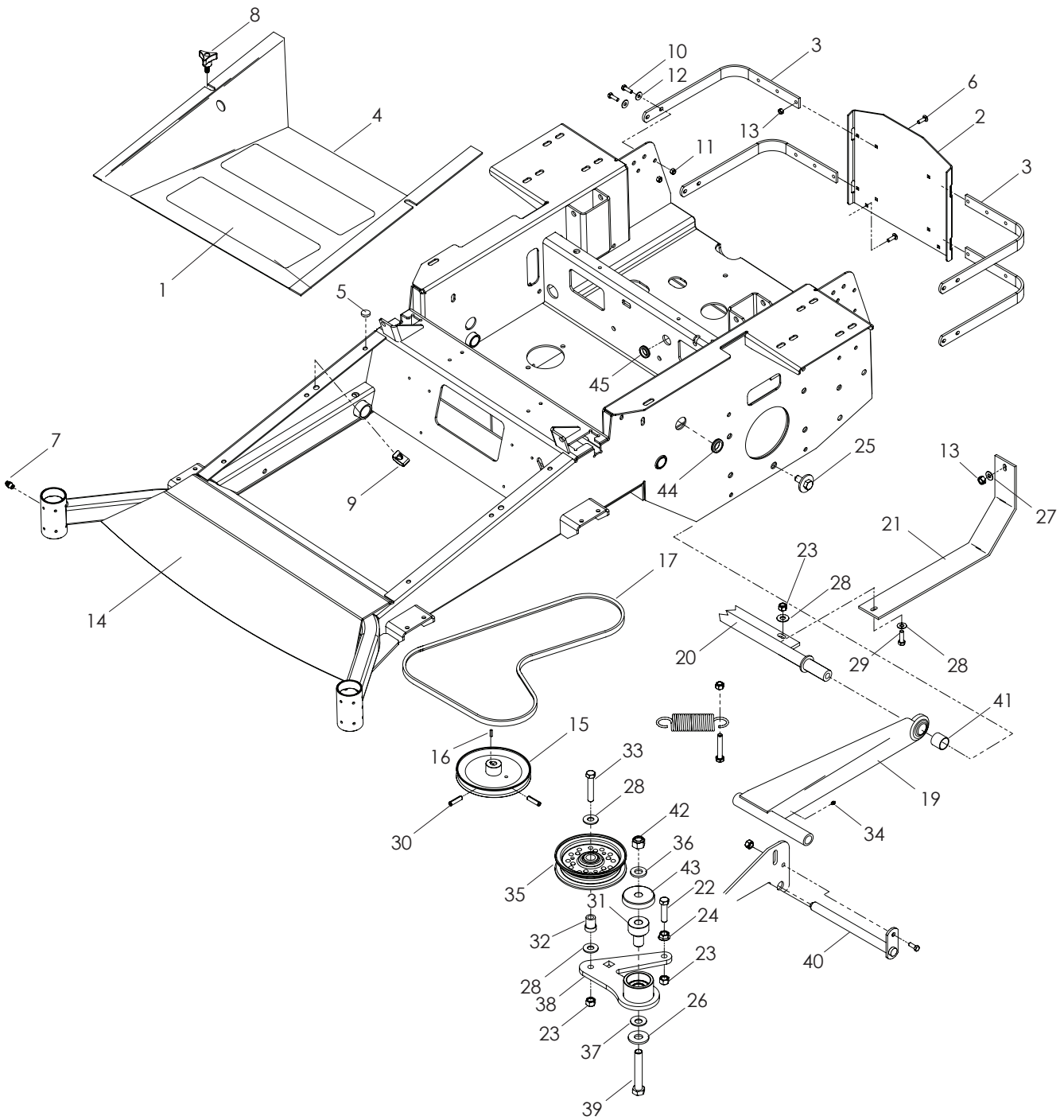
# CONTENTS

---

CHASSIS / FRAME .....	4	WHEELS AND TIRES .....	18
ENGINE PLATE.....	6	MOWER LIFT / DECK LIFT .....	20
LZ5225 .....	6	52 INCH DECK.....	22
LZ5227, LZ6130, LZ7230, LZ6127 .....	8	61 INCH DECK.....	24
STEERING .....	10	72 INCH DECK.....	26
IGNITION.....	12	SEAT .....	28
PARKING BRAKE .....	14	DECALS .....	30
HYDRAULIC PUMP - MOTOR.....	16	PROTECTION FRAME .....	32

NOTE: ALL FASTENERS ARE GRADE 5 UNLESS OTHERWISE SPECIFIED.

# CHASSIS / FRAME



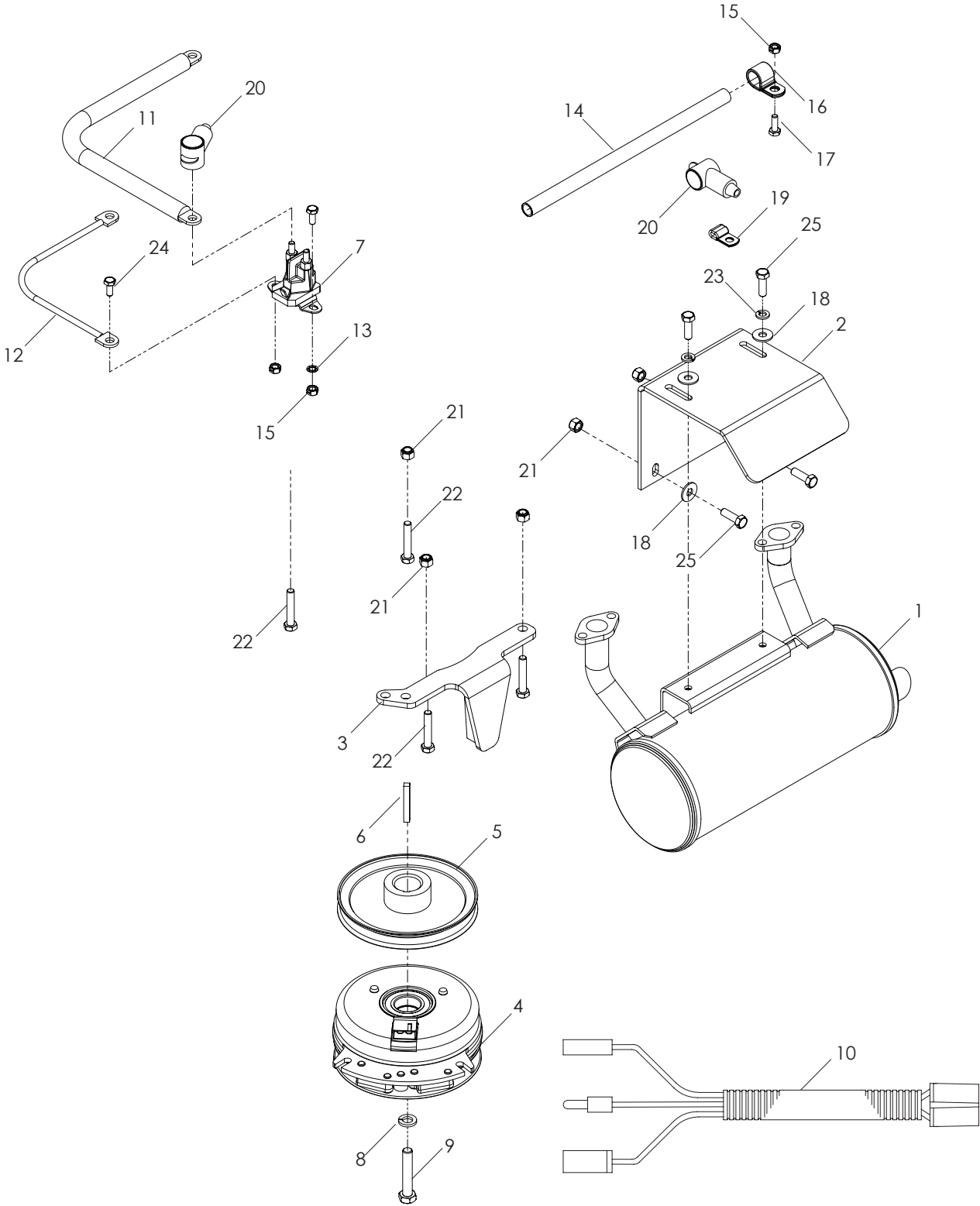
# CHASSIS / FRAME

---

ITEM	PART NO.	QTY.	DESCRIPTION	ITEM	PART NO.	QTY.	DESCRIPTION
1..	539 977778....	3....	PAD, ABRASIVE	23..	539 976979....	8....	NUT <sup>3</sup> / <sub>8</sub> -16 HEX NYLOC
2..	539 110976....	1....	GUARD	24..	539 990613....	1....	NUT <sup>3</sup> / <sub>8</sub> -16 HEX WHIZLK
3..	539 106961....	4....	STRAP	25..	539 119007....	2....	BOLT/WASHER
4..	539 104721....	1....	PLATE, FOOT	26..	539 109554....	1....	WASHER 1/2 FLAT
5..	539 102587....	6....	BUMPER	27..	539 990692....	2....	WASHER <sup>5</sup> / <sub>16</sub> STD FLT
6..	539 990316..	10....	RHSNB <sup>5</sup> / <sub>16</sub> -18 x <sup>3</sup> / <sub>4</sub>	28..	539 990517....	6....	WASHER <sup>3</sup> / <sub>8</sub> FLAT
7..	539 101474....	2....	ZERK	29..	539 990563....	2....	HCS <sup>3</sup> / <sub>8</sub> -16 x 1
8..	539 104411....	1....	KNOB w/STUD	30..	539 110631....	2....	PIN, ROLL <sup>5</sup> / <sub>16</sub> "
9..	539 104763....	2....	U CLIP <sup>5</sup> / <sub>16</sub> -18	31..	510 206301....	1....	BEARING, PIVOT
10..	539 990209....	8....	HCS <sup>5</sup> / <sub>16</sub> -18 x 1	32..	539 976695....	1....	BUSHING, FLANGE
11..	539 990717....	8....	NUT <sup>5</sup> / <sub>16</sub> -18 HEX NYLOC	33..	539 990588....	1....	HCS <sup>3</sup> / <sub>8</sub> -16 x 2
12..	539 990692..	10....	WASHER <sup>5</sup> / <sub>16</sub> STD FLT	34..	539 976998....	1....	ZERK
13..	539 990184..	14....	NUT <sup>5</sup> / <sub>16</sub> -18 CNTRLK	35..	539 976688....	1....	PULLEY, IDLER
14..	539 132229....	1....	FRAME, 52"/61"	36..	539 990250....	1....	WASHER
	539 132232 ...	1....	FRAME, 72"	37..	539 115528....	1....	WASHER, BELLEVILLE 1/2
15..	539 101176....	2....	PULLEY	38..	539 130392....	1....	ARM, IDLER w/ BEARINGS
16..	539 101177....	2....	KEY	39..	539 101572....	1....	HCS 1/2-13 x 3
17..	510 201501....	1....	BELT, PUMP	40..	539 102619....	2....	PIVOT PIN WLDMT 52"/61"
18..	539 103256....	1....	SPRING		539 105480 ...	2....	PIVOT PIN WLDMT 72"
19..	539 104390....	2....	STRUT WLDMT, RR 52"/61"	41..	539 104521....	2....	SPACER, STRUT
	539 110746....	2....	STRUT WLDMT, RR 72"	42..	539 101331....	1....	NUT 1/2-13 NYLOC
20..	539 132302....	1....	SHAFT, CROSS	43..	539 114662....	1....	SHIELD, DUST
21..	539 112634....	2....	PLATE, SKID	44..	539 105974....	3....	GROMMET, RUBBER
22..	539 990655....	1....	HCS <sup>3</sup> / <sub>8</sub> -16 x 1 1/2	45..	539 110433....	1....	GROMMET, FUEL LINE

# ENGINE PLATE

LZ5225 / 965879501



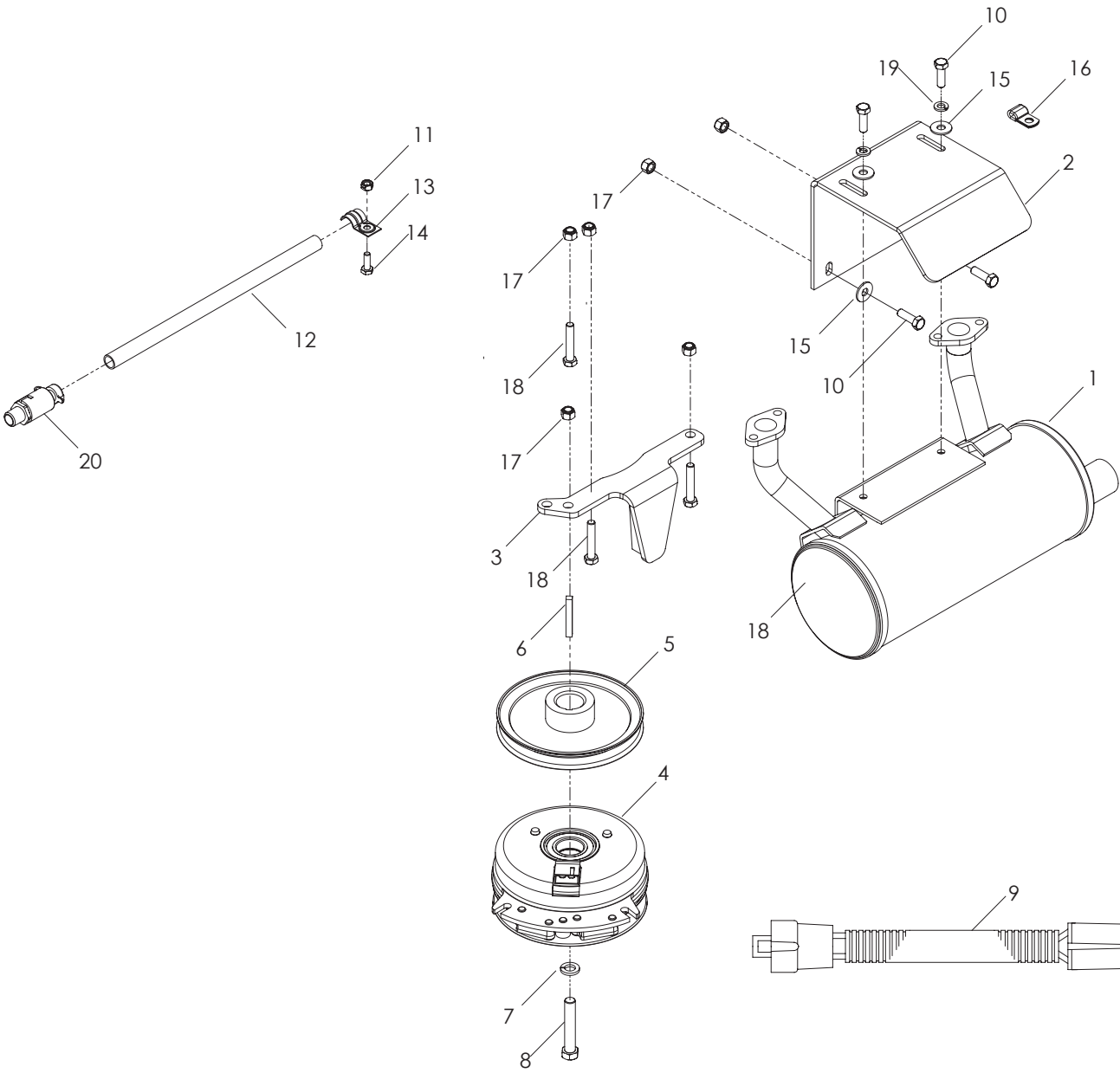
# ENGINE PLATE

---

ITEM	PART NO.	QTY.	DESCRIPTION	ITEM	PART NO.	QTY.	DESCRIPTION
1..	539 105897....	1....	MUFFLER	14..	539 107937....	1....	HOSE, OIL DRAIN
2..	539 111093 ....	1....	BRACKET, MUFFLER	15..	539 990761....	3....	NUT ¼-20 CNTRLK
3..	510 201702....	1....	TIE DOWN, CLUTCH	16..	539 102685....	1....	CLIP
4..	539 105406....	1....	CLUTCH, 200 FT/LBS	17..	539 990580....	1....	HCS ¼-20 x ¾
5..	539 106057....	1....	PULLEY	18..	539 990692....	2....	WASHER 5/16 STD FLT
6..	539 100152....	1....	KEY ¼ SQ	19..	539 109867....	2....	CLAMP, DOUBLE TUBE
7..	539 101714....	1....	SOLENOID	20..	539 102759....	2....	INSULATOR
8..	539 990247....	1....	WASHER 7/16 SLW	21..	539 990717....	6....	NUT 5/16-18 HEX NYLOC
9..	539 991120....	1....	HCS 7/16 x 2½	22..	539 990669....	4....	HCS 5/16-18 x 1¾
10..	539 104415....	1....	PIGTAIL	23..	539 990187....	2....	WASHER 5/16 SLW
11..	539 102757....	1....	CABLE, POSITIVE	24..	539 990072....	2....	HCS ¼-20 x 5/8
12..	539 105409....	1....	GROUND WIRE	25..	539 990209....	4....	HCS 5/16-18 x 1
13..	539 990053....	1....	WASHER ¼ ITLW				

# ENGINE PLATE

LZ5227, LZ6130, LZ7230, LZ6127



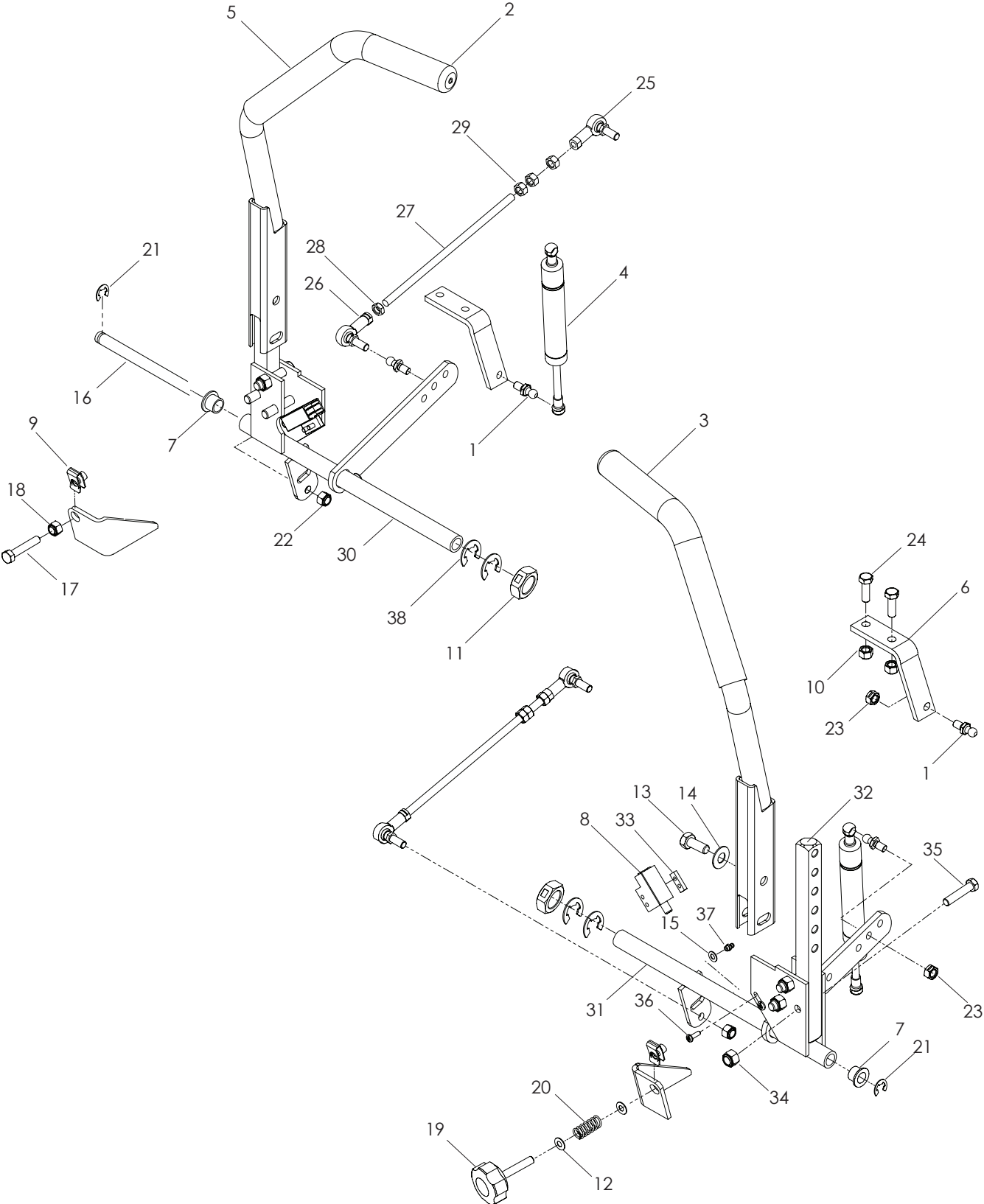


# ENGINE PLATE

---

ITEM	PART NO.	QTY.	DESCRIPTION	ITEM	PART NO.	QTY.	DESCRIPTION
1..	539 105896....	1....	MUFFLER	11..	539 990761....	1....	NUT ¼-20 CNTRLK
2..	539 111093 ....	1....	BRACKET, MUFFLER	12..	539 107937....	1....	HOSE, OIL DRAIN
3..	510 201702....	1....	TIE DOWN, CLUTCH	13..	539 101363....	1....	CLAMP
4..	539 105406....	1....	CLUTCH, 200 FT/LBS	14..	539 990580....	1....	HCS ¼-20 x ¾
5..	539 106057....	1....	PULLEY	15..	539 990692....	2....	WASHER 5/16 STD FLT
6..	539 100152....	1....	KEY ¼ SQ	16..	539 109867....	2....	CLAMP, DOUBLE TUBE
7..	539 990247....	1....	WASHER 7/16 SLW	17..	539 990717....	6....	NUT 5/16-18 HEX NYLOC
8..	539 991120....	1....	HCS 7/16 x 2½	18..	539 990669....	4....	HCS 5/16-18 x 1¾
9..	539 104416....	1....	PIGTAIL	19..	539 990187....	2....	WASHER 5/16 SLW
10..	539 990209....	4....	HCS 5/16-18 x 1	20..	539 110093....	1....	PLUG, OIL DRAIN

# STEERING

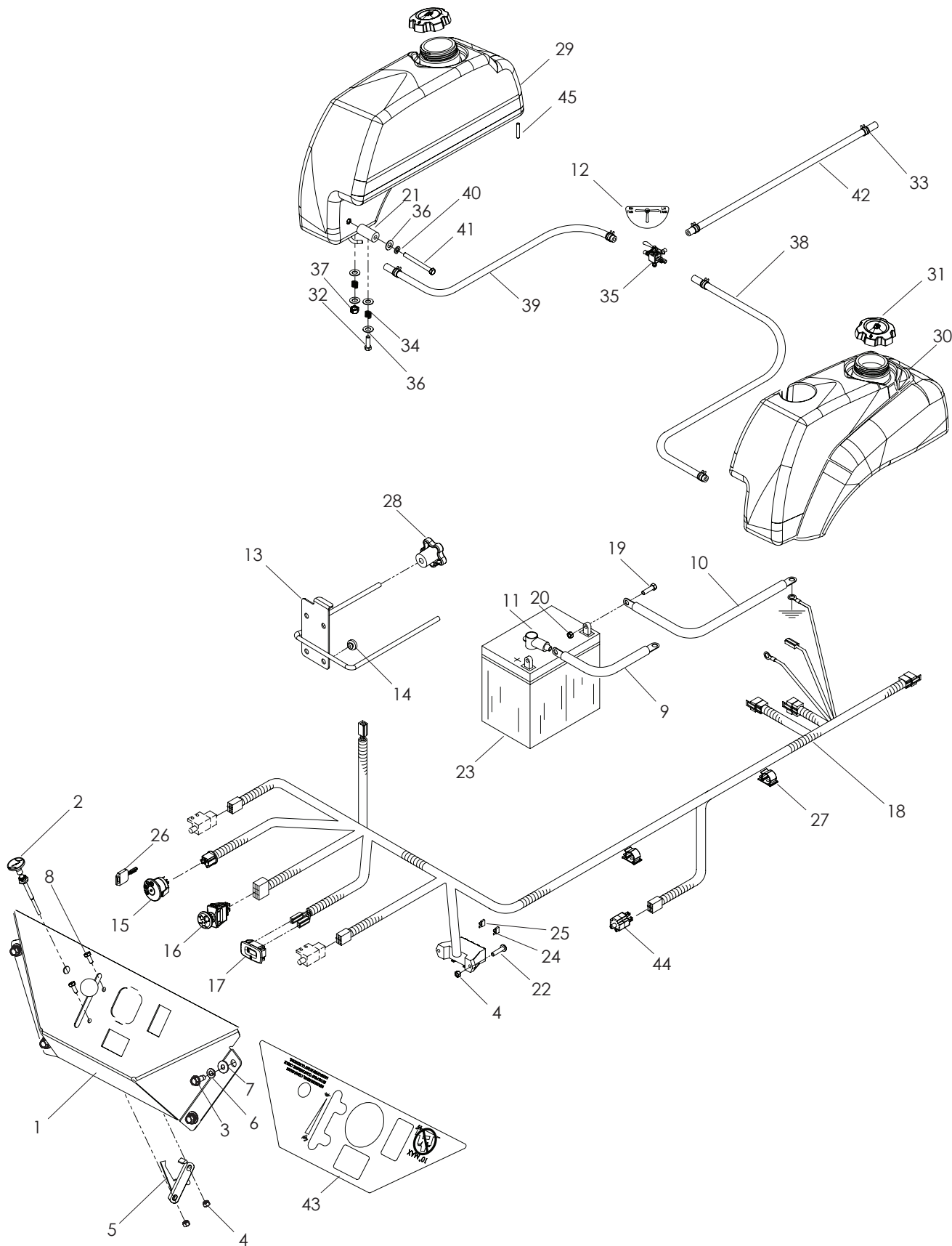


# STEERING

---

ITEM	PART NO.	QTY.	DESCRIPTION	ITEM	PART NO.	QTY.	DESCRIPTION
1..	539 110607	4....	BALL STUD	20..	539 111039	1....	SPRING
2..	539 131623	1....	DRIVE LEVER w/GRIP, RT	21..	539 101949	2....	E-RING ½"
3..	539 131622	1....	DRIVE LEVER w/GRIP, LT	22..	539 110943	4....	NUT 5/16-24 NYLOC
4..	539 131932	2....	DAMPENER	23..	539 990184	4....	NUT 5/16-18 CNTRLK
5..	539 130894	2....	GRIP	24..	539 990209	4....	HCS 5/16-18 x 1
6..	539 111074	2....	DAMPENER BRACKET	25..	539 110603	1....	ROD END, RT
7..	539 102519	2....	BUSHING	26..	539 110604	1....	ROD END, LT
8..	539 101080	2....	SWITCH, INTERLOCK	27..	539 105279	1....	TRACKING LINKAGE
9..	539 104763	2....	U CLIP 5/16-18	28..	539 991073	1....	NUT 5/16-24 LH, JAM
10..	539 990717	4....	NUT 5/16-18 HEX NYLOC	29..	539 990223	3....	NUT 5/16-24
11..	539 990820	2....	NUT 3/4-16 CNTRLOCK	30..	539 130701	1....	CONTROL, RT
12..	539 990692	2....	WASHER 5/16 STD FLT	31..	539 130702	1....	CONTROL, LT
13..	539 990563	4....	HCS 3/8-16 x 1	32..	539 110638	1....	ARM, CONTROL SHAFT
14..	539 102593	4....	SPRING WASHER 3/8	33..	539 102678	1....	SCREW PLATE
15..	539 103547	1....	WASHER	34..	539 976979	3....	NUT 3/8-16 HEX NYLOC
16..	539 110833	1....	SHAFT, CONTROL	35..	539 990730	6....	HCS 3/8-16 x 1¾
17..	539 108394	1....	HCS 5/16-18 x 1¾ TAPBOLT	36..	539 976952	2....	SCREW 10-24 x 5/8
18..	539 990196	1....	NUT 5/16-18	37..	539 976998	1....	ZERK
19..	539 103003	1....	KNOB	38..	539 105069	4....	E-RING 5/8

# IGNITION

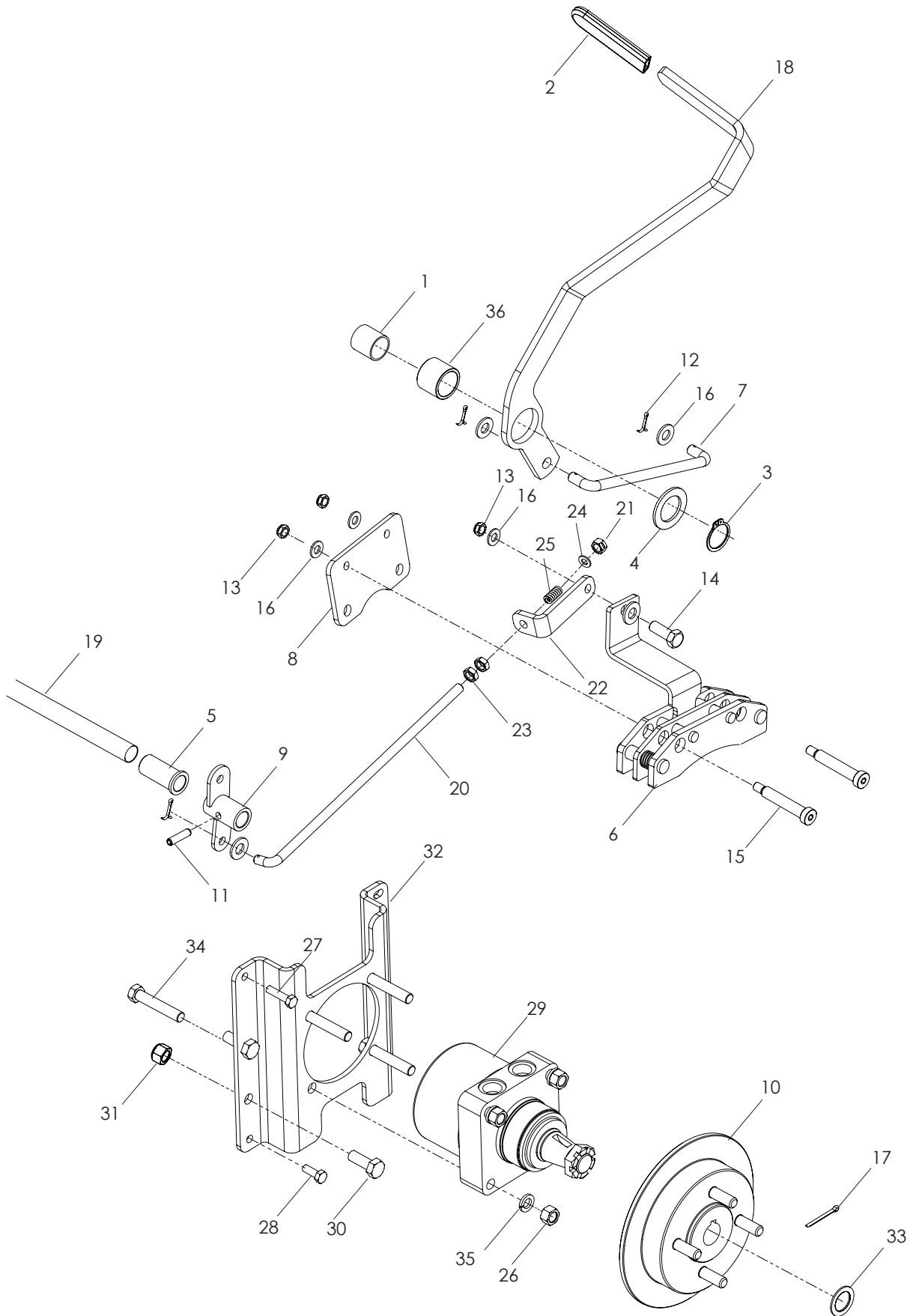


# IGNITION

---

ITEM	PART NO.	QTY.	DESCRIPTION	ITEM	PART NO.	QTY.	DESCRIPTION
1..	539 110953	1	CONSOLE	24..	539 101771	1	FUSE, 7.5 AMP 32V ATO
2..	539 130207	1	CONTROL, CHOKE	25..	539 102086	1	FUSE, 20 AMP 32 V ATO
3..	539 990362	4	SCREW 1/4-20 x 5/8 THD FRM	26..	539 107544	1	KEY, PADDED
4..	539 976977	4	NUT 10-24 NYLOC	27..	539 110815	2	CLIP, PUSH MOUNT WIRE
5..	539 102732	1	CABLE, THROTTLE	28..	539 105169	2	KNOB
6..	539 990052	6	LOCKWASHER 1/4	29..	539 104410	1	FUEL TANK RT
7..	539 990598	4	WASHER 1/4 FLAT	30..	539 104409	1	FUEL TANK LT
8..	539 990411	2	HCS 10-24 x 1/2	31..	539 130393	2	CAP, FUEL
9..	539 104974	1	CABLE, POSITIVE	32..	539 990209	2	HCS 5/16-18 x 1
10..	539 102758	1	CABLE, NEGATIVE	33..	539 912222	6	CLAMP, HOSE
11..	539 102759	2	INSULATOR	34..	539 102845	8	SPRING
12..	539 102670	1	DECAL, FUEL LINE	35..	539 102679	1	VALVE, FUEL
13..	539 105728	1	HOLD DOWN, BATTERY	36..	539 990692	18	WASHER 5/16 STD FLT
14..	539 102587	4	BUMPER	37..	539 990184	8	NUT 5/16-18 CNTRLK
15..	539 107541	1	SWITCH, IGNITION	38..	539 105280	1	LINE, FUEL
16..	539 131627	1	SWITCH, PTO	39..	539 922091	1	LINE, FUEL
17..	539 110074	1	METER, HOUR	40..	539 990187	2	WASHER 5/16 SLW
18..	539 113791	1	HARNESS, FRAME	41..	539 102335	2	HCS 5/16 x 4
19..	539 976934	2	HCS 5/16-18 x 3/4	42..	539 108212	1	LINE, FUEL
20..	539 990717	2	NUT 5/16-18 HEX NYLOC	43..	539 110956	1	DECAL, CONSOLE
21..	539 104897	2	SPACER, TANK	44..	539 113792	1	SWITCH, BRAKE
22..	539 102617	2	SCREW 10-24 x 7/8	45..	539 102502	6	STUD, FUEL TANK
23..	539 102436	1	BATTERY, DRY				

# PARKING BRAKE

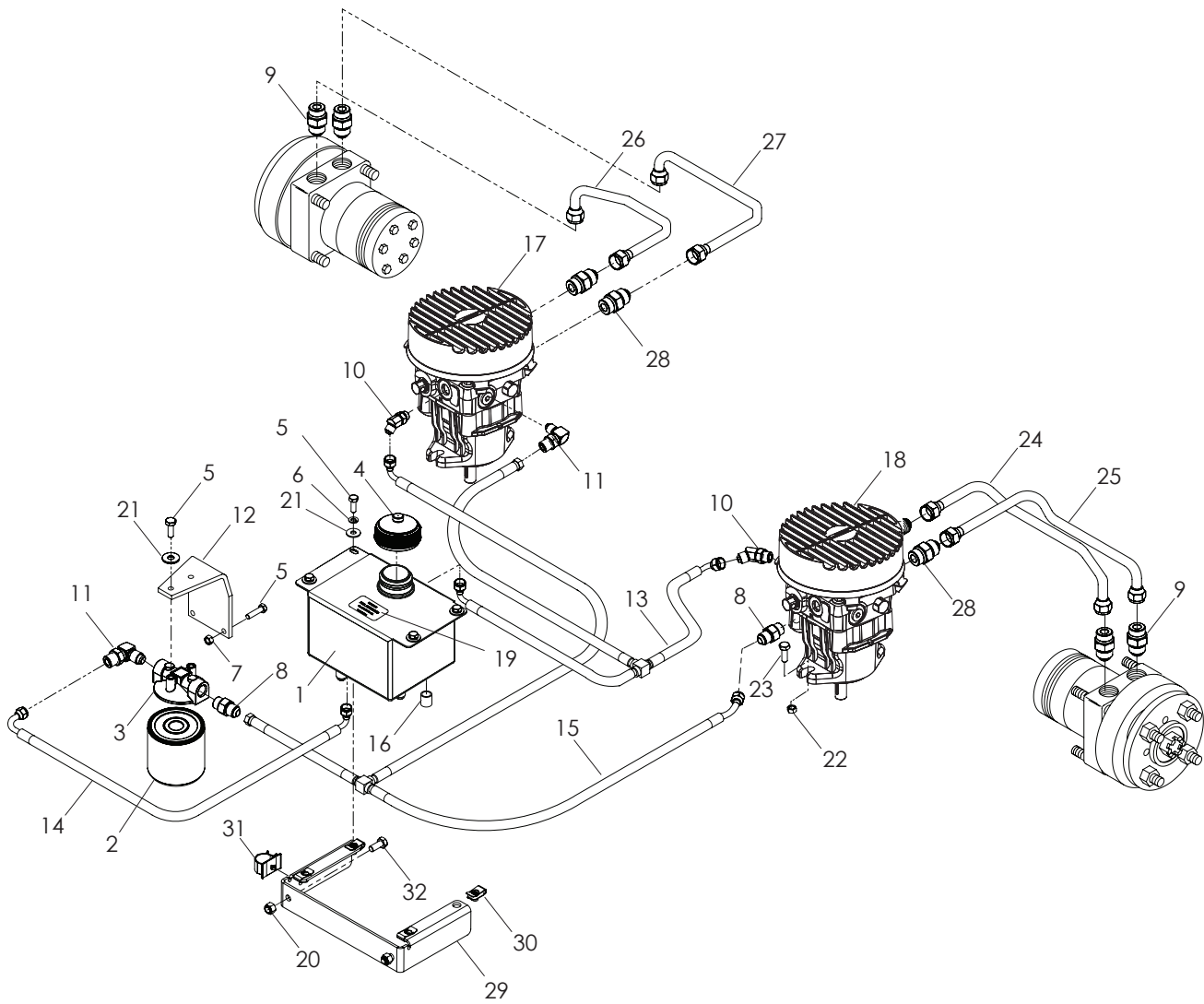


# PARKING BRAKE

---

ITEM	PART NO.	QTY.	DESCRIPTION	ITEM	PART NO.	QTY.	DESCRIPTION
1..	539 108619....	1....	BUSHING	19..	539 110624....	1....	SHAFT, CROSS
2..	539 105036....	1....	GRIP	20..	539 113949....	2....	LINKAGE, REAR BRAKE
3..	539 101151....	1....	RING, RETAINING 7/8	21..	539 990289....	1....	NUT 3/8-24 CTR LK
4..	539 923787....	1....	BUSHING, MACHINE	22..	539 113950....	2....	BRACKET, L
5..	539 113479....	2....	BUSHING, POLYMER 3/4 x 2	23..	539 108732....	4....	NUT 3/8-24 JAM
6..	539 133047....	2....	CALIPER	24..	539 990122....	1....	WASHER 3/8 SAE
7..	539 113947....	1....	LINKAGE, BRAKE	25..	539 113952....	2....	SPRING
8..	539 113948....	2....	PLATE, BRAKE	26..	539 990258....	4....	NUT 1/2-13 HEX
9..	539 113946....	2....	BELLCRANK, BRAKE	27..	539 976941....	4....	HCS 3/8-16 x 1 1/4
10..	539 113945....	2....	HUB	28..	539 990629....	4....	HCS 3/8-16 x 2 1/4
11..	539 110631....	2....	PIN, ROLL 5/16"	29..	539 110823....	2....	WHEEL MOTOR, TL15
12..	539 990037....	4....	PIN, COTTER 3/32 x 3/4	30..	539 990622....	8....	HFCS 1/2-13 x 1 1/4 WHIZLK
13..	539 200282....	6....	NUT 3/8-16 JAM, NYLOC	31..	539 101331....	8....	NUT 1/2-13, NYLOC
14..	539 990563....	2....	HCS 3/8-16 x 1	32..	539 132300....	1....	MOUNT, WHEEL MOTOR
15..	539 113951....	4....	SB 3/8-16 x 2 1/2 SKT HD	33..	539 916561....	1....	BUSHING, MACHINE
16..	539 990122..	12....	WASHER 3/8 SAE FLT	34..	539 101332....	8....	HCS 1/2-13 x 2 3/4
17..	539 104288....	1....	PIN, COTTER	35..	539 990254....	4....	WASHER 1/2 SLW
18..	539 108616....	1....	LEVER, BRAKE	36..	539 108618....	1....	TUBE, BRAKE LEVER

# HYDRAULIC PUMP - MOTOR



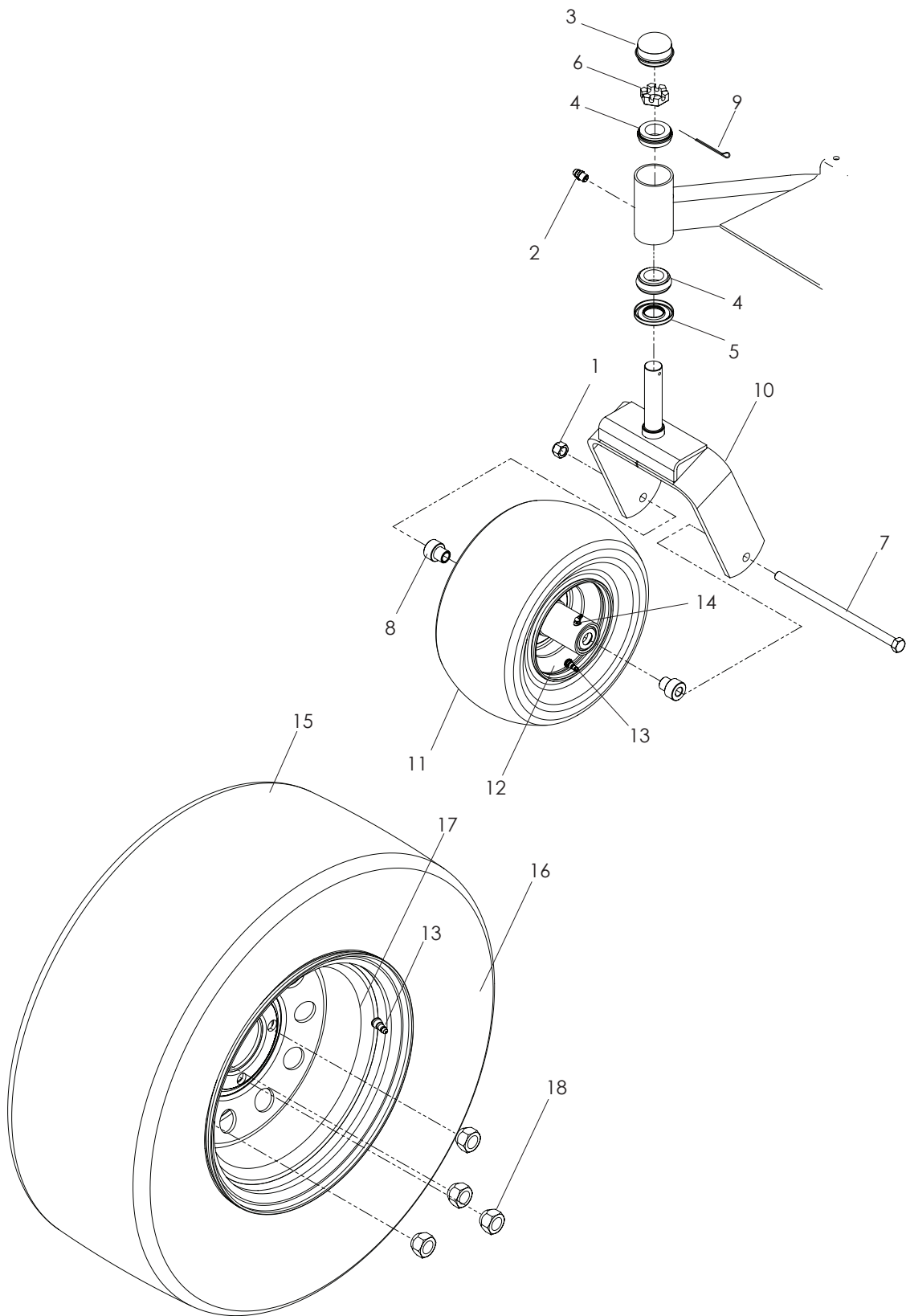


# HYDRAULIC PUMP - MOTOR

---

ITEM	PART NO.	QTY.	DESCRIPTION	ITEM	PART NO.	QTY.	DESCRIPTION
1..	539 105024....	1....	OIL TANK	17..	539 132143....	1....	PUMP w/FAN, 10CC, RT
2..	539 102606....	1....	FILTER	18..	539 132142....	1....	PUMP w/FAN, 10CC, LT
3..	539 101165....	1....	FILTER HEAD	19..	539 114832....	1....	DECAL, OIL TANK
4..	539 101202....	1....	HYDRAULIC CAP	20..	539 990717....	2....	NUT <sup>5</sup> / <sub>16</sub> -18 HEX NYLOC
5..	539 990580....	8....	HCS ¼-20 x ¾	21..	539 990598....	4....	WASHER ¼ FLAT
6..	539 990052....	2....	LOCKWASHER ¼	22..	539 990546....	5....	NUT <sup>3</sup> / <sub>8</sub> -16 CNTRLK
7..	539 976978....	2....	NUT ¼-20 HEX NYLOC	23..	539 990582....	4....	HCS <sup>3</sup> / <sub>8</sub> -16 x 1 WHIZLK
8..	539 113782....	2....	F6400-6-6-0	24..	539 132284....	1....	HYDRAULIC LINE
9..	539 102396....	4....	STRAIGHT FITTING	25..	539 132285....	1....	HYDRAULIC LINE
10..	539 132316....	2....	F6802-6-6-0	26..	539 132286....	1....	HYDRAULIC LINE
11..	539 101238....	4....	F6801-6-6-0	27..	539 132287....	1....	HYDRAULIC LINE
12..	539 106933....	1....	BRACKET, FILTER	28..	539 101237....	4....	F6400-8-8-0
13..	539 132290....	1....	T ASSEMBLY, RETURN	29..	539 110814....	1....	MOUNT, TANK
14..	539 132288....	1....	HOSE	30..	539 110813....	4....	RETAINER, U TYPE
15..	539 132289....	1....	T ASSEMBLY, SUPPLY	31..	539 110815....	1....	CLIP, PUSH MOUNT WIRE
16..	539 105168....	1....	CAP	32..	539 976934....	2....	HCS <sup>5</sup> / <sub>16</sub> -18 x ¾

# WHEELS AND TIRES



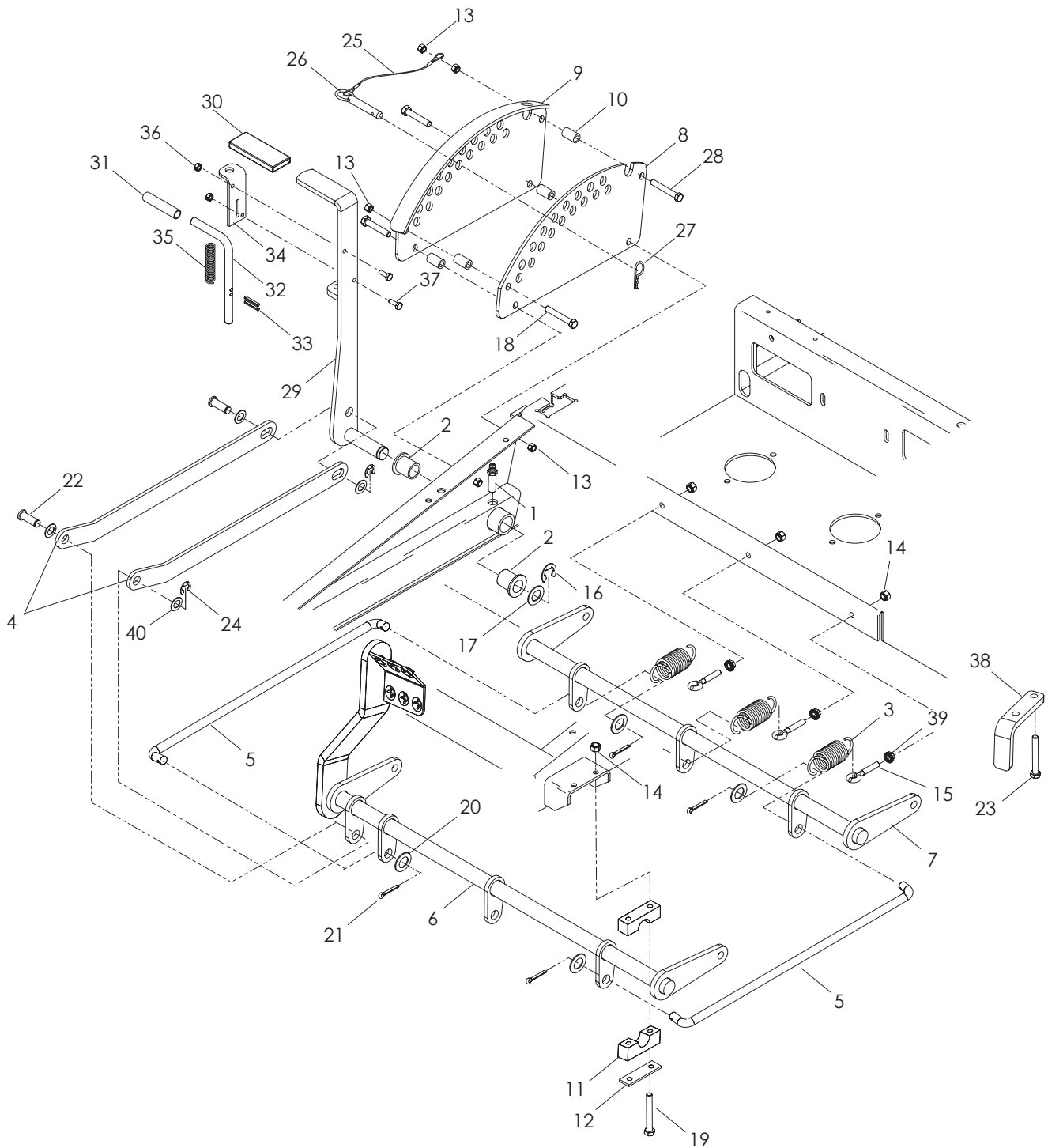
# WHEELS AND TIRES

---

ITEM	PART NO.	QTY.	DESCRIPTION	ITEM	PART NO.	QTY.	DESCRIPTION
1..	539 101331....	2....	NUT ½-13 NYLOC	12..	539 105523....	2....	RIM
2..	539 101474....	2....	ZERK	13..	539 912234....	2....	VALVE STEM
3..	539 102535....	2....	CAP GREASE	14..	539 103300....	2....	ZERK
4..	539 102543....	4....	BEARING, TAPERED	15..	539 105486....	2....	TIRE, COMPLETE, 61" & 72"
5..	539 102851....	2....	SEAL		539 112592....	2....	TIRE, COMPLETE, 52"
6..	539 102852....	2....	NUT 1-14 SLOTTED JAM	16..	539 105152....	2....	TIRE, 24 x 12.0-12
7..	539 105517....	2....	HCS ½-13 x 9½		539 112599....	2....	TIRE, 23 x 9.5-12
8..	539 105518....	4....	SPACER	17..	539 105487....	2....	RIM, 61" & 72"
9..	539 102889....	2....	PIN COTTER 1/8 x 2		510 253001 ...	2....	RIM, 52"
10..	539 105982....	2....	CASTER YOKE	18..	539 101173....	8....	NUT, LUG ½
11..	539 105521....	2....	TIRE, COMPLETE				

NOT SHOWN: Caster Bearing 539 105525

# MOWER LIFT / DECK LIFT

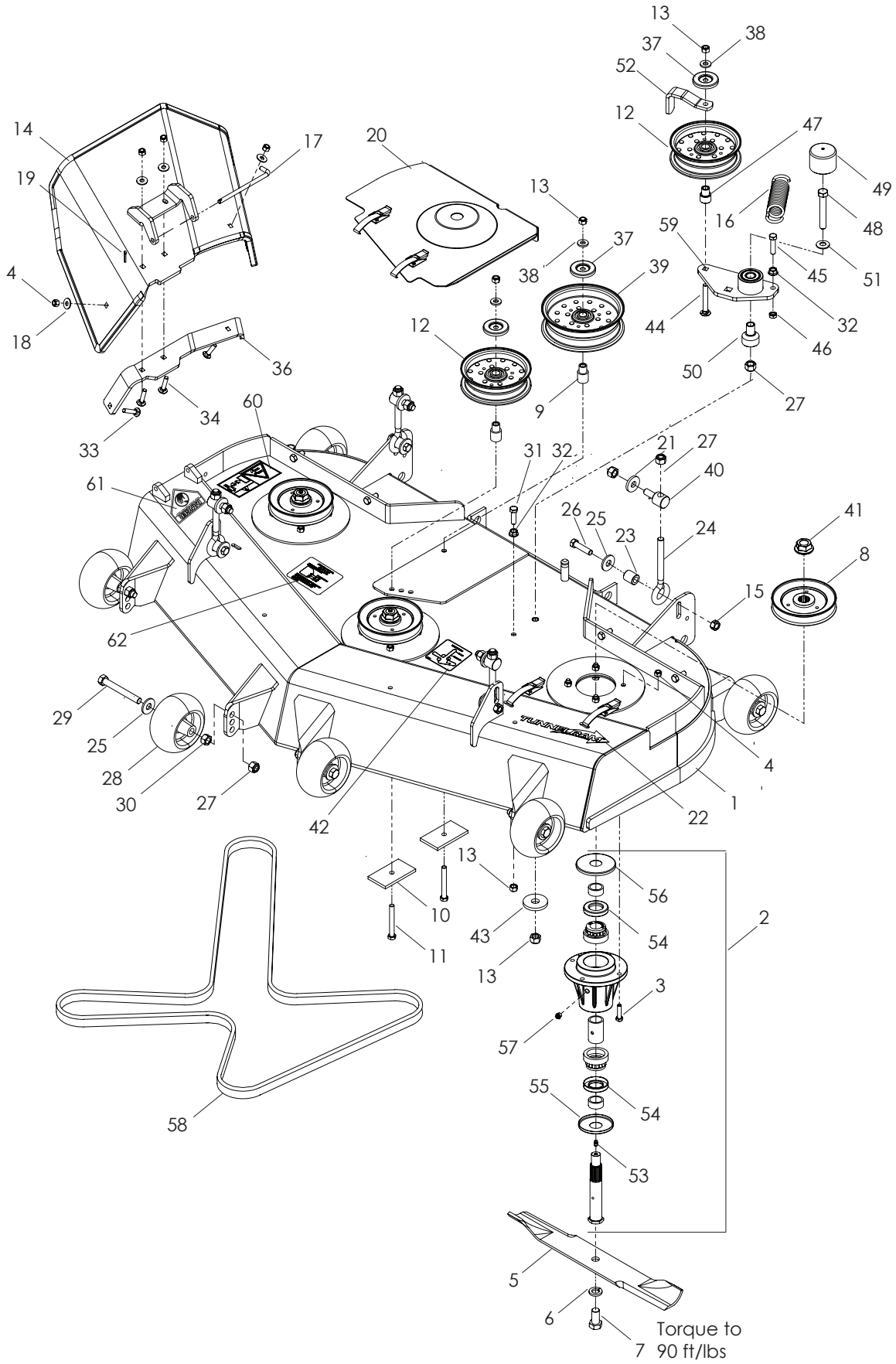


# MOWER LIFT / DECK LIFT

---

ITEM	PART NO.	QTY.	DESCRIPTION	ITEM	PART NO.	QTY.	DESCRIPTION
1..	539 104761....	1....	ZERK, LONG	21..	539 990654....	4....	PIN, COTTER
2..	539 101232....	2....	BUSHING, FLANGE	22..	539 105060....	2....	PIN, CLEVIS <sup>5</sup> / <sub>8</sub>
3..	539 104760....	3....	SPRING, DECK LIFT	23..	539 107476....	4....	BOLT <sup>3</sup> / <sub>8</sub> -16 x 1 THD FRM
4..	539 105050....	2....	LINKAGE, LIFT	24..	539 105069....	2....	E-RING <sup>5</sup> / <sub>8</sub>
5..	539 104310....	2....	LINK, CONNECTING	25..	539 105059....	1....	LANYARD
6..	539 132170....	1....	SHAFT ASSM w/PEDAL, FT	26..	539 102526....	1....	PIN, HITCH
7..	539 108354....	1....	SHAFT, REAR LIFT	27..	539 976989....	1....	PIN, HAIR
8..	539 104323....	1....	PLATE, ADJUSTMENT	28..	539 102612....	1....	HCS <sup>3</sup> / <sub>8</sub> -16 x 2 <sup>3</sup> / <sub>4</sub>
9..	539 104321....	1....	PLATE, ADJUSTMENT	29..	539 108322....	1....	LEVER, LIFT
10..	539 104530....	4....	SPACER, DECK LIFT	30..	539 102515....	1....	CUSHION, HANDLE
11..	539 104808....	8....	BLOCKS, PILLOW	31..	539 101050....	1....	GRIP, VINYL
12..	539 104807....	4....	PLATE, SUPPORT	32..	539 104523....	1....	PIN, LOCKING
13..	539 976979....	8....	NUT <sup>3</sup> / <sub>8</sub> -16 HEX NYLOC	33..	539 106532....	2....	PIN, GROOVED
14..	539 990717....	8....	NUT <sup>5</sup> / <sub>16</sub> -18 HEX NYLOC	34..	539 103534....	1....	PIN MOUNT, UPPER
15..	539 101982....	3....	EYEBOLT <sup>5</sup> / <sub>16</sub>	35..	539 101058....	1....	SPRING, COMPRESSION
16..	539 101802....	1....	E-RING <sup>7</sup> / <sub>8</sub>	36..	539 990761....	2....	NUT <sup>1</sup> / <sub>4</sub> -20 CNTRLK
17..	539 923787....	1....	BUSHING, MACHINE	37..	539 990580....	2....	HCS <sup>1</sup> / <sub>4</sub> -20 x <sup>3</sup> / <sub>4</sub>
18..	539 990637....	3....	HCS <sup>3</sup> / <sub>8</sub> -16 x 2 <sup>1</sup> / <sub>2</sub>	38..	539 111075....	2....	STOP, DECK
19..	539 101721....	8....	HCS <sup>5</sup> / <sub>16</sub> -18 x 2 <sup>3</sup> / <sub>4</sub>	39..	539 990585....	3....	NUT <sup>5</sup> / <sub>16</sub> -18 WHIZ
20..	539 976982....	4....	WASHER <sup>5</sup> / <sub>8</sub> SAE	40..	539 991043....	4....	BUSHING <sup>5</sup> / <sub>8</sub>

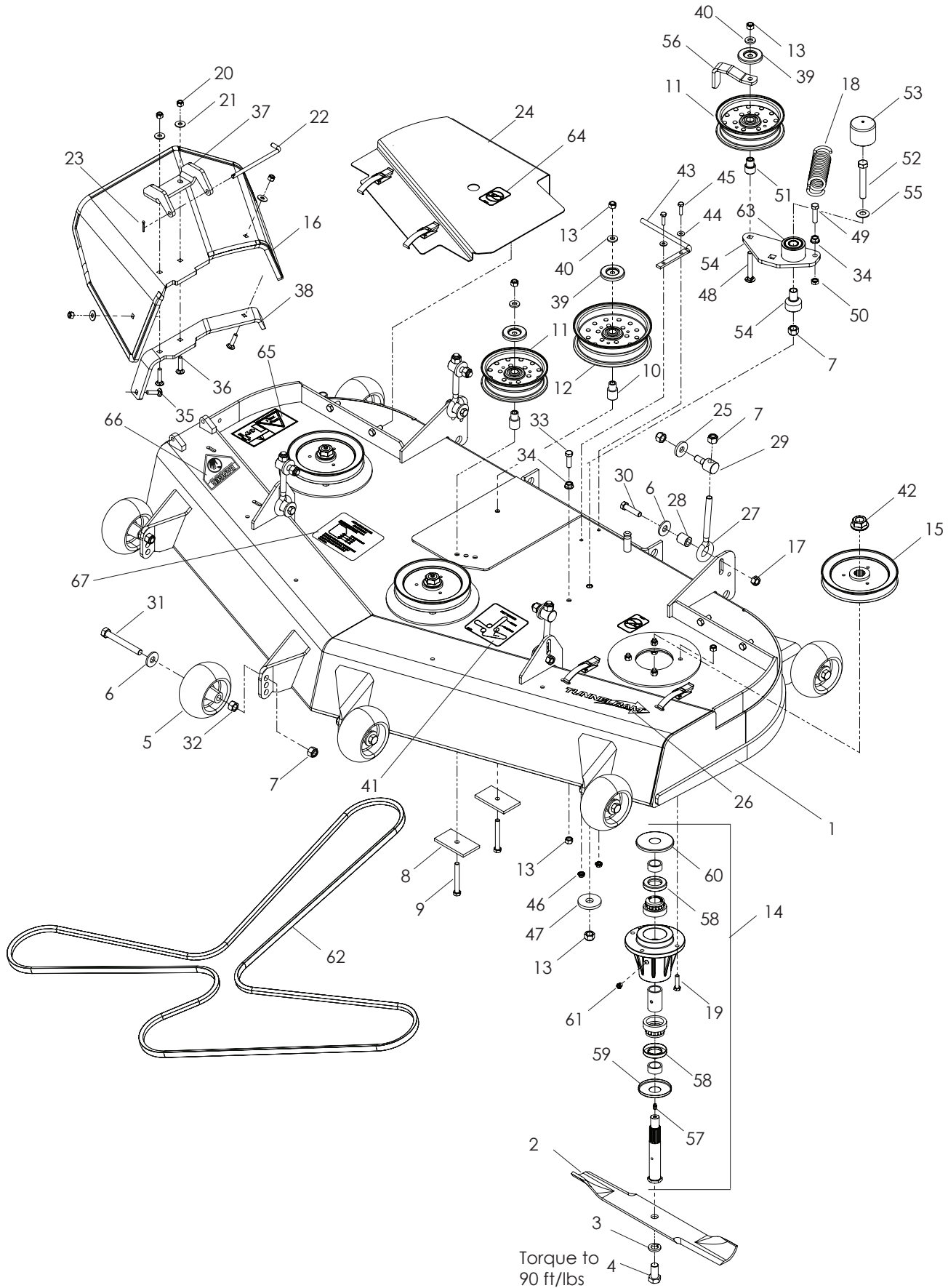
# 52 INCH DECK



# 52 INCH DECK

ITEM	PART NO.	QTY.	DESCRIPTION	ITEM	PART NO.	QTY.	DESCRIPTION
1..	539 111377	.... 1....	DECK w/DECALS	32..	539 990613	.... 4....	NUT <sup>3</sup> / <sub>8</sub> -16 HEX WHIZLK
2..	539 131383	.... 3....	HOUSING ASSM subs to 966 956101 , Housing Assm	33..	539 100472	.... 2....	RHSNB <sup>5</sup> / <sub>16</sub> -18 x 1 <sup>1</sup> / <sub>4</sub>
3..	539 990627	.. 12....	HCS <sup>5</sup> / <sub>16</sub> -18 x 1 <sup>1</sup> / <sub>4</sub>	34..	539 102933	... 2 ...	RHSNB <sup>5</sup> / <sub>16</sub> -18 x 1 <sup>1</sup> / <sub>2</sub>
4..	539 990717	.. 16....	NUT <sup>5</sup> / <sub>16</sub> -18 HEX NYLOC	35..	539 130923	... 1 ...	BRACKET, MOUNTING
5..	539 100341	.... 3....	BLADE 18"	36..	539 130925	... 1 ...	REINFORCEMENT, 52-61
6..	539 990333	.... 3....	WASHER <sup>5</sup> / <sub>8</sub> SLW	37..	510 254501	.... 3....	SHIELD, DUST
7..	539 103299	.... 3....	HCS <sup>5</sup> / <sub>8</sub> -18 x 1 <sup>1</sup> / <sub>4</sub>	38..	522 023401	.... 3....	WASHER <sup>3</sup> / <sub>8</sub> SPECIAL
8..	539 112124	.... 3....	PULLEY	39..	521 966601	.... 1....	PULLEY, IDLER (WIDE)
9..	539 103295	.... 2....	BUSHING, IDLER	40..	505 256501	.... 4....	SWIVEL
10..	539 103303	.... 2....	PAD, PAINTED	41..	539 130653	.... 3....	NUT <sup>3</sup> / <sub>4</sub> -16 FLANGE
11..	539 101341	.... 2....	HCS <sup>3</sup> / <sub>8</sub> -16 x 3	42..	539 112620	.... 1....	DECAL, BELT ROUTING
12..	539 103257	.... 2....	PULLEY, IDLER	43..	539 102243	.... 1....	WASHER, SUPPORT
13..	539 976979	.... 4....	NUT <sup>3</sup> / <sub>8</sub> -16 HEX NYLOC	44..	539 130235	.... 1....	RHSNB <sup>3</sup> / <sub>8</sub> -16 x 2 <sup>3</sup> / <sub>4</sub>
14..	539 130779	.... 1....	CHUTE, DISCHARGE	45..	539 107042	.... 1....	HCS <sup>3</sup> / <sub>8</sub> -16 x 1 <sup>1</sup> / <sub>2</sub> GR 8
15..	539 990839	.... 4....	NUT <sup>7</sup> / <sub>16</sub> -14 HEX CTRLK GR A	46..	539 109332	.... 1....	NUT <sup>3</sup> / <sub>8</sub> -16 HEX JAM
16..	539 130690	.... 1....	SPRING	47..	539 130242	.... 1....	BUSHING, IDLER
17..	539 131813	... 1 ...	PIN, CHUTE PIVOT	48..	539 103433	.... 1....	HCS <sup>1</sup> / <sub>2</sub> -13 x 3 <sup>1</sup> / <sub>4</sub>
18..	539 990692	... 4 ...	WASHER <sup>5</sup> / <sub>16</sub> STD FLT	49..	539 114823	.... 1....	CAP, VINYL
19..	539 990365	.... 1....	COTTER PIN <sup>1</sup> / <sub>8</sub> x <sup>3</sup> / <sub>4</sub>	50..	510 206301	.... 1....	BEARING, PIVOT
20..	539 109652	.... 1....	BELT SHIELD ASSM RT	51..	539 115528	.... 1....	WASHER, BELLEVILLE
	539 109653	... 1....	BELT SHIELD ASSM LT	52..	539 114981	.... 1....	GUIDE, BELT
21..	539 115550	.... 4....	WASHER <sup>1</sup> / <sub>2</sub> STD FLT	53..	539 101474	.... 3....	ZERK
22..	539 111561	.... 1....	DECAL, TUNNELRAM	54..	539 108754	.... 2....	SEAL, SHAFT
23..	539 114404	.... 4....	SPACER	55..	539 108449	.... 3....	DUST CAP, BOTTOM
24..	539 119227	.... 4....	EYEBOLT	56..	539 108450	.... 3....	DUST CAP, TOP
25..	539 109554	.. 10....	WASHER <sup>1</sup> / <sub>2</sub> FLAT	57..	539 977326	.... 3....	POPPET, GREASE
26..	539 108073	.... 4....	HCS <sup>7</sup> / <sub>16</sub> -14 x 1 <sup>3</sup> / <sub>4</sub>	58..	522 795901	.... 1....	BELT, DECK
27..	539 101331	.. 16....	NUT <sup>1</sup> / <sub>2</sub> -13 NYLOC	59..	539 130391	.... 1....	ARM, IDLER w/ BEARINGS
28..	539 107610	.... 6....	WHEEL, GAUGE	60..	539 105746	.... 1....	DECAL, SEVERING
29..	539 108366	.... 6....	HHB <sup>1</sup> / <sub>2</sub> -13 x 4	61..	539 913010	.... 1....	DECAL, WARNING
30..	539 990258	.... 6....	NUT <sup>1</sup> / <sub>2</sub> -13 HEX	62..	539 105232	.... 1....	DECAL, ANTI-SCALP
31..	539 976941	.... 1....	HCS <sup>3</sup> / <sub>8</sub> -16 x 1 <sup>1</sup> / <sub>4</sub>				

# 61 INCH DECK

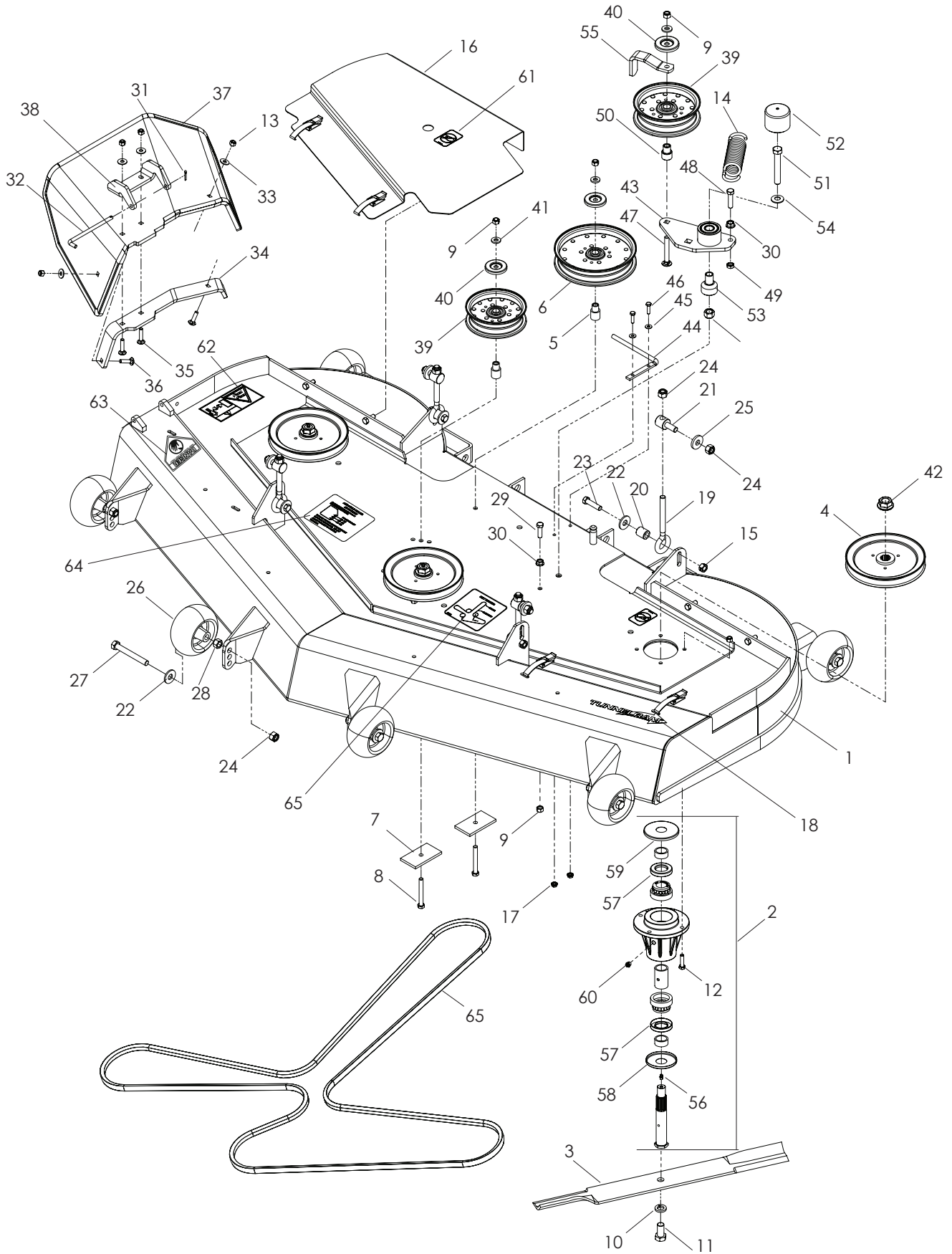




# 61 INCH DECK

ITEM	PART NO.	QTY.	DESCRIPTION	ITEM	PART NO.	QTY.	DESCRIPTION
1..	539 111378	1....	DECK w/DECALS	35..	539 100472	2 ...	RHSNB <sup>5</sup> / <sub>16</sub> -18 x 1 <sup>1</sup> / <sub>4</sub>
2..	539 101733	3....	BLADE, 21"	36..	539 102933	2 ...	RHSNB <sup>5</sup> / <sub>16</sub> -18 x 1 <sup>1</sup> / <sub>2</sub>
3..	539 990333	3....	WASHER <sup>5</sup> / <sub>8</sub> SLW	37..	539 130923	1 ...	BRACKET, MOUNTING
4..	539 103299	3....	HCS <sup>5</sup> / <sub>8</sub> -18 x 1 <sup>1</sup> / <sub>4</sub>	38..	539 130925	1 ...	REINFORCEMENT, 52-61
5..	539 107610	6....	WHEEL, GAUGE	39..	510 254501	3....	SHIELD, DUST
6..	539 109554	10....	WASHER <sup>1</sup> / <sub>2</sub> FLAT	40..	522 023401	4....	WASHER <sup>3</sup> / <sub>8</sub> SPECIAL
7..	539 101331	15....	NUT <sup>1</sup> / <sub>2</sub> -13 NYLOC	41..	539 112620	1....	DECAL, BELT ROUTING
8..	539 103303	2....	PAD, PAINTED	42..	539 130653	3....	NUT <sup>3</sup> / <sub>4</sub> -16 FLANGE
9..	539 101341	2....	HCS <sup>3</sup> / <sub>8</sub> -16 x 3	43..	522 629801	1....	GUIDE, BELT
10..	539 103295	2....	BUSHING, IDLER	44..	539 990550	4....	WASHER <sup>1</sup> / <sub>2</sub> STD FLT
11..	539 103257	2....	PULLEY, IDLER	45..	539 990548	2....	HCS <sup>1</sup> / <sub>4</sub> -20 x 1
12..	521 966601	1....	PULLEY, IDLER (WIDE)	46..	539 108735	2....	NUT <sup>1</sup> / <sub>4</sub> -20 HEX FLANGE
13..	539 976979	4....	NUT <sup>3</sup> / <sub>8</sub> -16 HEX NYLOC	47..	539 102243	1....	WASHER, SUPPORT
14..	539 131383	3....	HOUSING ASSM subs to 966 956101, Housing Assm	48..	539 130235	1....	RHSNB <sup>3</sup> / <sub>8</sub> -16 x 2 <sup>3</sup> / <sub>4</sub>
15..	539 112125	3....	PULLEY	49..	539 107042	1....	HCS <sup>3</sup> / <sub>8</sub> -16 x 1 <sup>1</sup> / <sub>2</sub> GR 8
16..	539 130779	1....	CHUTE, DISCHARGE	50..	539 109332	1....	NUT <sup>3</sup> / <sub>8</sub> -16 HEX JAM
17..	539 990839	4....	NUT <sup>7</sup> / <sub>16</sub> -14 HEX CTRLK GR A	51..	539 130242	1....	BUSHING, IDLER
18..	539 130690	1....	SPRING	52..	539 103433	1....	HCS <sup>1</sup> / <sub>2</sub> -13 x 3 <sup>1</sup> / <sub>4</sub>
19..	539 990627	12....	HCS <sup>5</sup> / <sub>16</sub> -18 x 1 <sup>1</sup> / <sub>4</sub>	53..	539 114823	1....	CAP, VINYL
20..	539 990717	16....	NUT <sup>5</sup> / <sub>16</sub> -18 HEX NYLOC	54..	510 206301	1....	BEARING, PIVOT
21..	539 990692	4 ...	WASHER <sup>5</sup> / <sub>16</sub> STD FLT	55..	539 115528	1....	WASHER, BELLEVILLE
22..	539 131813	1 ...	PIN, CHUTE PIVOT	56..	539 114981	1....	GUIDE, BELT
23..	539 990365	1....	COTTER PIN <sup>1</sup> / <sub>8</sub> x <sup>3</sup> / <sub>4</sub>	57..	539 101474	3....	ZERK
24..	510 202101	1....	BELT SHIELD ASSM RT	58..	539 108754	2....	SEAL, SHAFT
	510 202201	1....	BELT SHIELD ASSM LT	59..	539 108449	3....	DUST CAP, BOTTOM
25..	539 115550	4....	WASHER <sup>1</sup> / <sub>2</sub> STD FLT	60..	539 108450	3....	DUST CAP, TOP
26..	539 111561	1....	DECAL, TUNNELRAM	61..	539 977326	3....	POPPET, GREASE
27..	539 119227	4....	EYEBOLT	62..	510 201301	1....	BELT, DECK
28..	539 114404	4....	SPACER	63..	539 130391	1....	ARM, IDLER w/ BEARINGS
29..	505 256501	4....	SWIVEL	64..	539 105743	2....	DECAL, NO STEP
30..	539 108073	4....	HCS <sup>7</sup> / <sub>16</sub> -14 x 1 <sup>3</sup> / <sub>4</sub>	65..	539 105746	1....	DECAL, SEVERING
31..	539 108366	6....	HHB <sup>1</sup> / <sub>2</sub> -13 x 4	66..	539 913010	1....	DECAL, WARNING
32..	539 990258	6....	NUT <sup>1</sup> / <sub>2</sub> -13 HEX	67..	539 105232	1....	DECAL, ANTI-SCALP
33..	539 976941	1....	HCS <sup>3</sup> / <sub>8</sub> -16 x 1 <sup>1</sup> / <sub>4</sub>				
34..	539 990613	2....	NUT <sup>3</sup> / <sub>8</sub> -16 HEX WHIZLK				

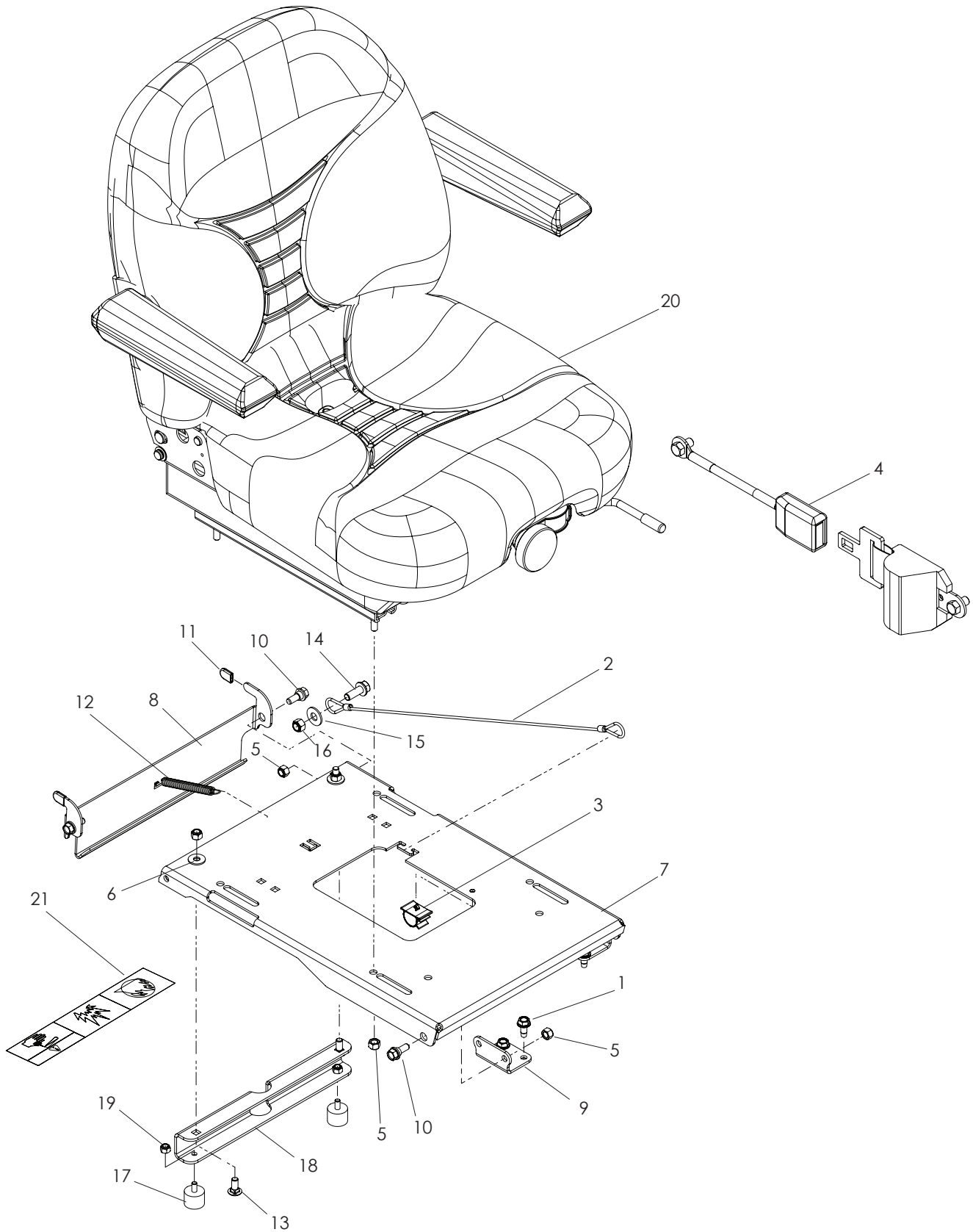
# 72 INCH DECK



# 72 INCH DECK

ITEM	PART NO.	QTY.	DESCRIPTION	ITEM	PART NO.	QTY.	DESCRIPTION
1..	539 111379	1	DECK w/ DECALS	34..	539 130926	1	REINFORCEMENT, 72
2..	539 131383	3	HOUSING ASSM subs to 966 956101, Housing Assm	35..	539 102933	2	RHSNB $\frac{5}{16}$ -18 x $1\frac{1}{2}$
3..	539 105476	3	BLADE 25"	36..	539 100472	2	RHSNB $\frac{5}{16}$ -18 x $1\frac{1}{4}$
4..	539 112126	3	PULLEY	37..	539 130780	1	CHUTE, DISCHARGE
5..	539 103295	2	BUSHING, IDLER	38..	539 130923	1	BRACKET, MOUNTING
6..	510 015101	1	PULLEY, IDLER	39..	539 103257	2	PULLEY, IDLER
7..	539 103303	2	PAD, PAINTED	40..	510 254501	3	SHIELD, DUST
8..	539 101341	2	HCS $\frac{3}{8}$ -16 x 3	41..	522 023401	4	WASHER $\frac{3}{8}$ SPECIAL
9..	539 976979	4	NUT $\frac{3}{8}$ -16 HEX NYLOC	42..	539 130653	3	NUT $\frac{3}{4}$ -16 FLANGE
10..	539 990333	3	WASHER $\frac{5}{8}$ SLW	43..	539 130391	1	ARM, IDLER w/ BEARINGS
11..	539 103299	3	HCS $\frac{5}{8}$ -18 x $1\frac{1}{4}$	44..	522 629801	1	GUIDE, BELT
12..	539 990627	12	HCS $\frac{5}{16}$ -18 x $1\frac{1}{4}$	45..	539 990055	4	WASHER $\frac{1}{4}$ STD FLT
13..	539 990717	12	NUT $\frac{5}{16}$ -18 HEX NYLOC	46..	539 990548	2	HCS $\frac{1}{4}$ -20 x 1
14..	539 105192	1	SPRING	47..	539 130235	1	RHSNB $\frac{3}{8}$ -16 x $2\frac{3}{4}$
15..	539 990839	4	NUT $\frac{7}{16}$ -14 HEX CTRLK GR A	48..	539 107042	1	HCS $\frac{3}{8}$ -16 x $1\frac{1}{2}$ GR 8
16..	510 196201	1	BELT SHIELD ASSM RT	49..	539 109332	1	NUT $\frac{3}{8}$ -16 HEX JAM
	510 196301	1	BELT SHIELD ASSM LT	50..	539 130242	1	BUSHING, IDLER
17..	539 108735	2	NUT $\frac{1}{4}$ -20 HEX FLANGE	51..	539 103433	1	HCS $\frac{1}{2}$ -13 x $3\frac{1}{4}$
18..	539 111561	1	DECAL, TUNNELRAM	52..	539 114823	1	CAP, VINYL
19..	539 119227	4	EYEBOLT	53..	510 206301	1	BEARING, PIVOT
20..	539 114404	4	SPACER	54..	539 115528	1	WASHER, BELLEVILLE
21..	505 256501	4	SWIVEL	55..	539 114981	1	GUIDE, BELT
22..	539 109554	11	WASHER $\frac{1}{2}$ FLAT	56..	539 101474	3	ZERK
23..	539 108073	4	HCS $\frac{7}{16}$ -14 x $1\frac{3}{4}$	57..	539 108754	2	SEAL, SHAFT
24..	539 101331	15	NUT $\frac{1}{2}$ -13 NYLOC	58..	539 108449	3	DUST CAP, BOTTOM
25..	539 115550	4	WASHER $\frac{1}{2}$ STD FLT	59..	539 108450	3	DUST CAP, TOP
26..	539 107610	7	WHEEL, GAUGE	60..	539 977326	3	POPPET, GREASE
27..	539 108366	7	HHB $\frac{1}{2}$ -13 x 4	61..	539 105743	2	DECAL, NO STEP
28..	539 990258	7	NUT $\frac{1}{2}$ -13 HEX	62..	539 105746	1	DECAL, SEVERING
29..	539 976941	1	HCS $\frac{3}{8}$ -16 x $1\frac{1}{4}$	63..	539 913010	1	DECAL, WARNING
30..	539 990613	2	NUT $\frac{3}{8}$ -16 HEX WHIZLK	64..	539 105232	1	DECAL, ANTI-SCALP
31..	539 990365	4	COTTER PIN $\frac{1}{8}$ x $\frac{3}{4}$	65..	539 112620	1	DECAL, BELT ROUTING
32..	539 131813	1	PIN, CHUTE PIVOT	66..	522 740201	1	BELT, DECK
33..	539 990692	4	WASHER $\frac{5}{16}$ STD FLT				

# SEAT



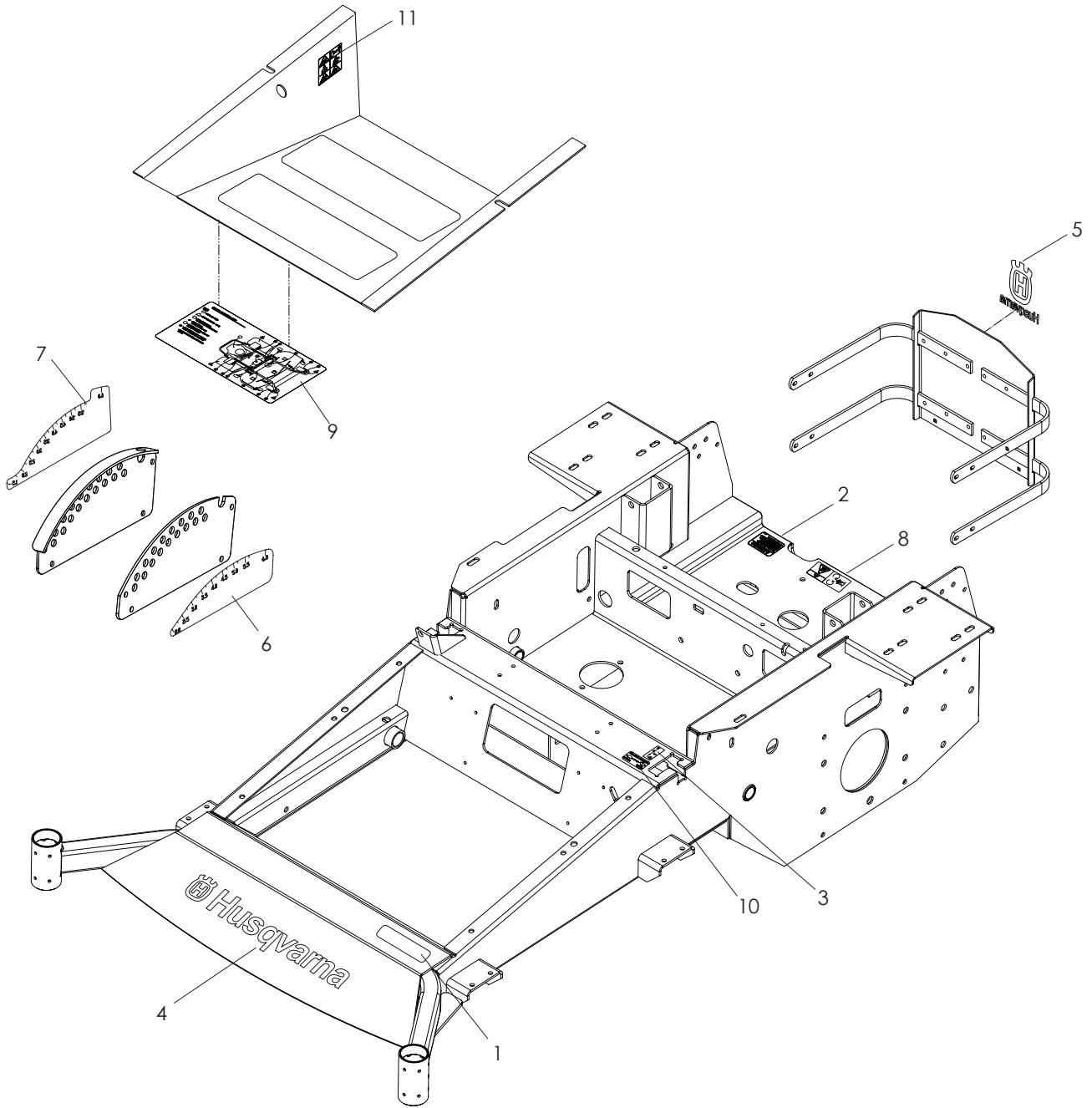
# SEAT

---

ITEM	PART NO.	QTY.	DESCRIPTION	ITEM	PART NO.	QTY.	DESCRIPTION
1..	539 107475....	4....	BOLT <sup>5</sup> / <sub>16</sub> -18 x <sup>3</sup> / <sub>4</sub> THD FRM	12..	539 977250....	1....	SPRING
2..	539 103247....	1....	LANYARD, SEAT	13..	539 990316 ...	2 ...	RHSNB <sup>5</sup> / <sub>16</sub> -18 x <sup>3</sup> / <sub>4</sub>
3..	539 110815....	1....	CLIP, PUSH MOUNT WIRE	14..	539 990582 ...	1 ...	HCS <sup>3</sup> / <sub>8</sub> -16 x 1 WHIZLK
4..	539 130359....	1....	SEAT BELT, RETRACTABLE	15..	539 990517 ...	1 ...	WASHER <sup>3</sup> / <sub>8</sub> FLAT STD
5..	539 990717....	6....	NUT <sup>5</sup> / <sub>16</sub> -18 HEX NYLOC	16..	539 976979 ...	1 ...	NUT <sup>3</sup> / <sub>8</sub> -16 HEX NYLOC
6..	539 990692....	2....	WASHER <sup>5</sup> / <sub>16</sub> STD FLT	17..	539 105039 ...	2 ...	MOUNT, STUD PLATE
7..	539 130785....	1....	PAN, SEAT	18..	539 132332 ...	1 ...	STANDOFF, SEAT PAN
8..	539 130787....	1....	LATCH, SEAT	19..	539 976978 ...	2 ...	NUT <sup>1</sup> / <sub>4</sub> -20 HEX NYLOC
9..	539 130789....	2....	PIVOT, SEAT PAN	20..	539 132203....	1....	SEAT
10..	539 130896....	4....	BOLT <sup>5</sup> / <sub>16</sub> -18 HEX HD	21..	539 105745....	1....	DECAL, BATTERY WARN
11..	539 130898....	2....	GRIP, VINYL				

NOT SHOWN: Switch Seat ... 1 ... 539 119741

# DECALS



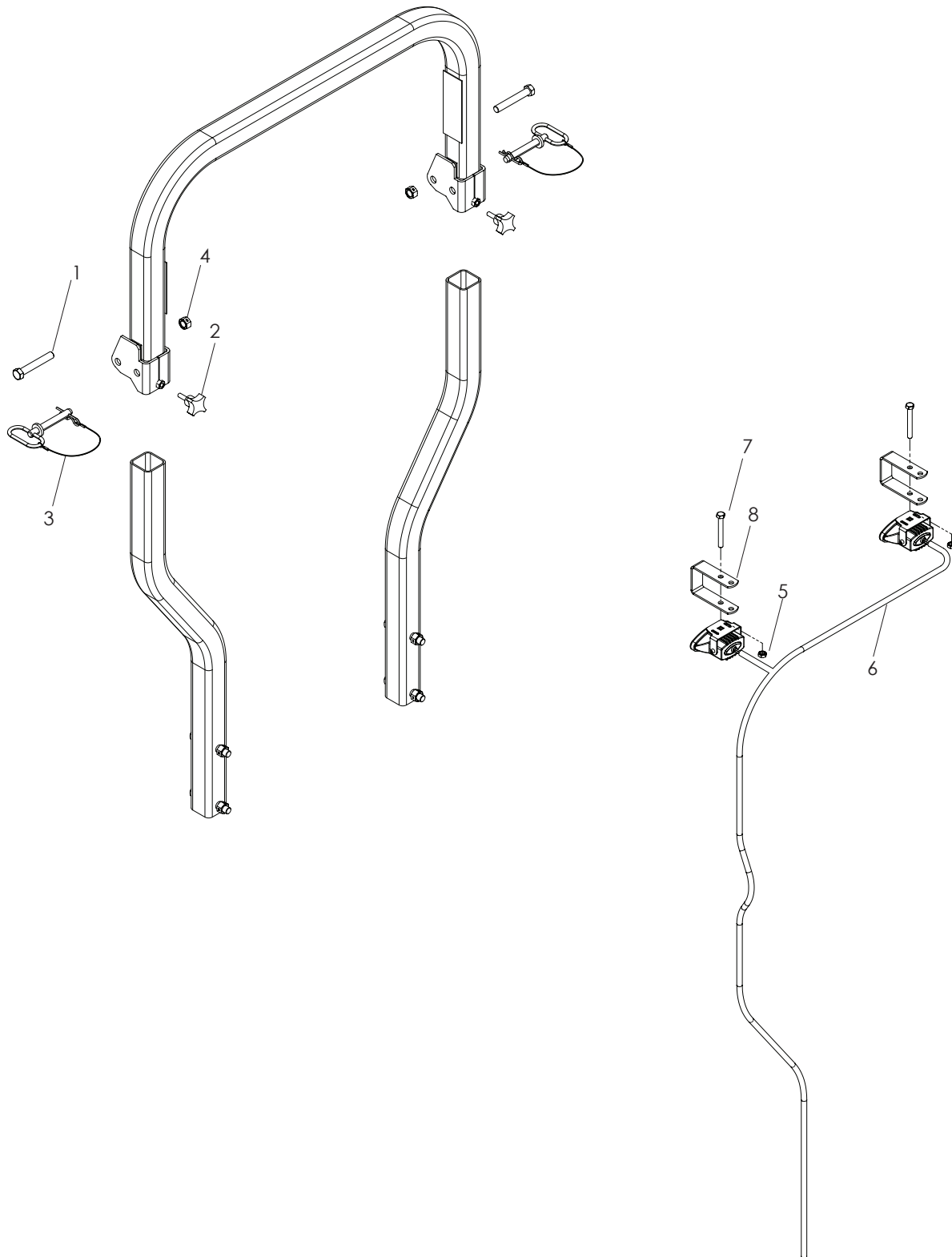
# DECALS

---

ITEM	PART NO.	QTY.	DESCRIPTION	ITEM	PART NO.	QTY.	DESCRIPTION
1..	539 111117.....	1....	DECAL, LZ5225	6..	539 104898....	1....	DECAL, HEIGHT INDICATOR
	539 112701.....	1....	DECAL, LZ5227	7..	539 104899....	1....	DECAL, HEIGHT INDICATOR
	539 112702.....	1....	DECAL, LZ6130	8..	539 105744....	1....	DECAL, DNGR BELT DRIVE
	539 112703.....	1....	DECAL, LZ7230	9..	539 105011....	1....	DECAL, SERVICE
	539 111120....	1....	DECAL, LZ6127	10..	539 110974....	1....	DECAL, TRACKING
2..	539 101881....	1....	DECAL, PROP 65	11..	539 111575....	1....	DECAL, WARNING
3..	539 103333....	2....	DECAL, MOTION CONTROL		NOT SHOWN		
4..	539 111046....	1....	DECAL, HUSQVARNA		539 100128...	1....	DECAL, EXHAUST
5..	539 111055....	1....	DECAL, CROWN				

# PROTECTION FRAME

## Rollover Protection System (ROPS)





# PROTECTION FRAME

---

ITEM	PART NO.	QTY.	DESCRIPTION	ITEM	PART NO.	QTY.	DESCRIPTION
	539 111444	1	ROPS, COMP w/SEAT BELT	6..	539 111580	1	LIGHT HARNESS
1..	539 103433	6	HCS ½-13 x ¾	7..	539 991046	2	HCS 5/16-18 x 2½
2..	539 132083	2	KNOB w/ STUD	8..	539 111578	2	BRACKET, MOUNTING
3..	539 111036	2	LANYARD w/PIN ½"	NOT SHOWN			
4..	539 200100	6	NUT ½-13 CNTRLK		539 976856	16	WIRE TIES
OPTIONAL ROPS LIT KIT - 539 111579					539 111815	1	REPLACEMENT BULB
	539 111577	2	LIGHT w/BRKT & HRDWARE				12V, 35 WATT
5..	539 107897	2	NUT 5/16-18 JAM				(NOT INCLUDED IN KIT)





